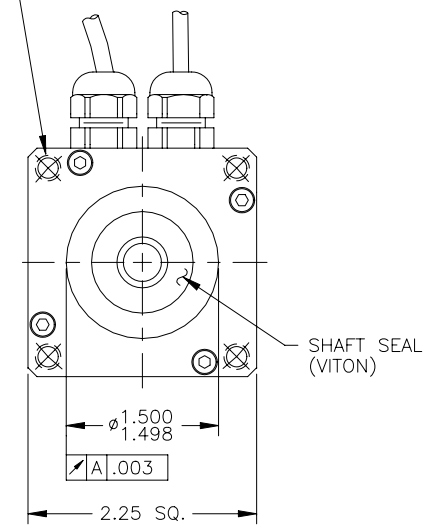


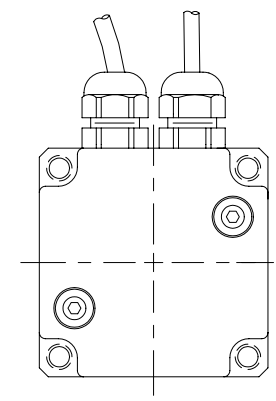
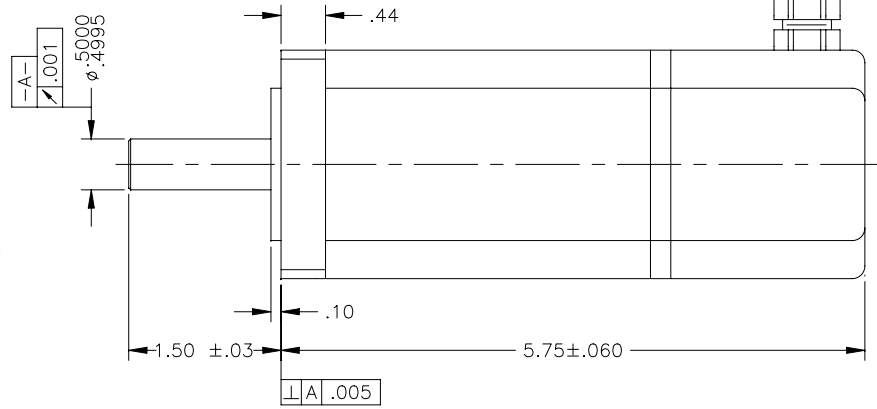
REVISIONS			
REV	DESCRIPTION	DATE	APPD
A	RELEASED - ECO 11056	10-4-99	GKH

1/4-20 UNC-2B THRU
(4) EQ. SPD. AS SHOWN
ON A Ø2.625 B.C.



MOTOR & SENSOR
CABLE, 18" MIN.
LENGTH

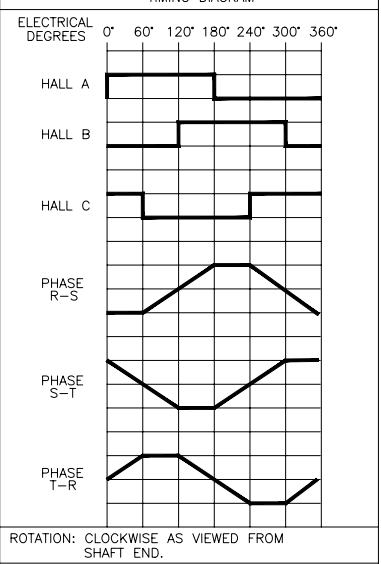
ENCODER CABLE
16" LONG



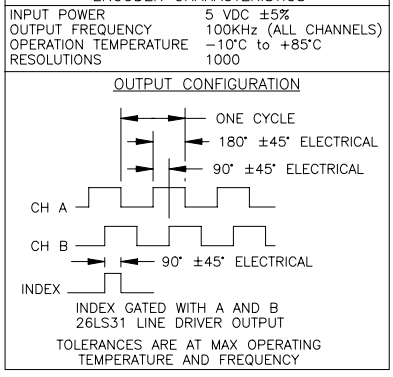
MOTOR PARAMETERS @25°C

	TOL.	UNITS	VALUE
MAX. OPERATING SPEED (Snl)	MAX.	R.P.M.	6000
CONTINUOUS TORQUE (Tc)	MAX.	LB-IN	7.5
PEAK TORQUE (Tp)	MAX.	LB-IN	22.5
TORQUE SENSITIVITY (Kt)	±10%	LB-IN/AMPS	1.66
BACK EMF CONSTANT (Ke) (L-L, D.C.)	±10%	V/K R.P.M.	19.59
D.C. RESISTANCE (Rt) (L-L)	±10%	OHMS	2.04
INDUCTANCE (L) (L-L)	±15%	mH	2.1
ROTOR INERTIA (Ja)	NOM.	LB-IN-SEC ²	0.000256
FRICTION TORQUE (Tf)	NOM.	LB-IN	0.25
DAMPING TORQUE (Td)	NOM.	LB-IN/KRPM	0.04
WINDING TEMPERATURE	MAX.	°C	125
WEIGHT	NOM.	LBS	3.1

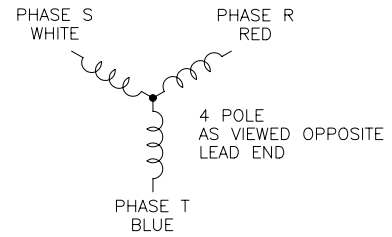
TIMING DIAGRAM



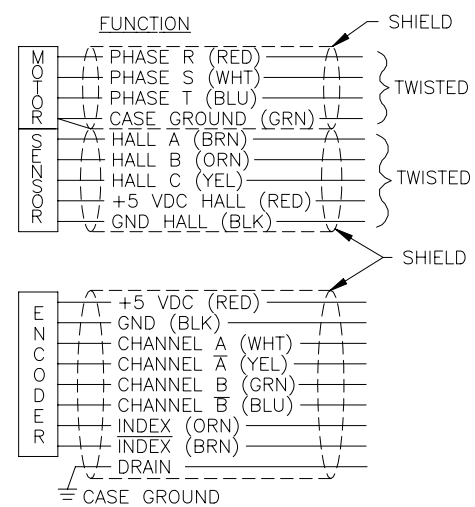
ENCODER CHARACTERISTICS



MOTOR WINDING CONFIGURATION



CONNECTION DIAGRAM



NOTE: THIS DRAWING HAS BEEN CREATED BY AUTOCAD. MANUAL REVISIONS ARE NOT ALLOWED.

DRAWN 2-25-99 [Signature]		TITLE BRUSHLESS D.C. MOTOR-ENCODER	
CHECKED 10-4-99 [Signature]		SIZE C	NUMBER 2282-ME3776
APPROVED 10-4-99 [Signature]		TOLERANCES ON DECIMALS FRACTIONS ±1/64 XX ±.010 ANGLES ±1/2° XXX ±.005 UNLESS OTHERWISE SPECIFIED DIMENSION ARE IN INCHES	
SCALE 1:1		SHEET 1 of 1	

THIS DRAWING AND THE INFORMATION DISCLOSED HEREIN ARE PROPRIETARY DATA OF MOTION CONTROL GROUP, AND IS TO BE IMMEDIATELY RETURNED UPON REQUEST. REPRODUCTION OF THIS DRAWING OR THE INFORMATION CONTAINED HEREIN IS PROHIBITED WITHOUT THE EXPRESSED WRITTEN APPROVAL OF MCG.